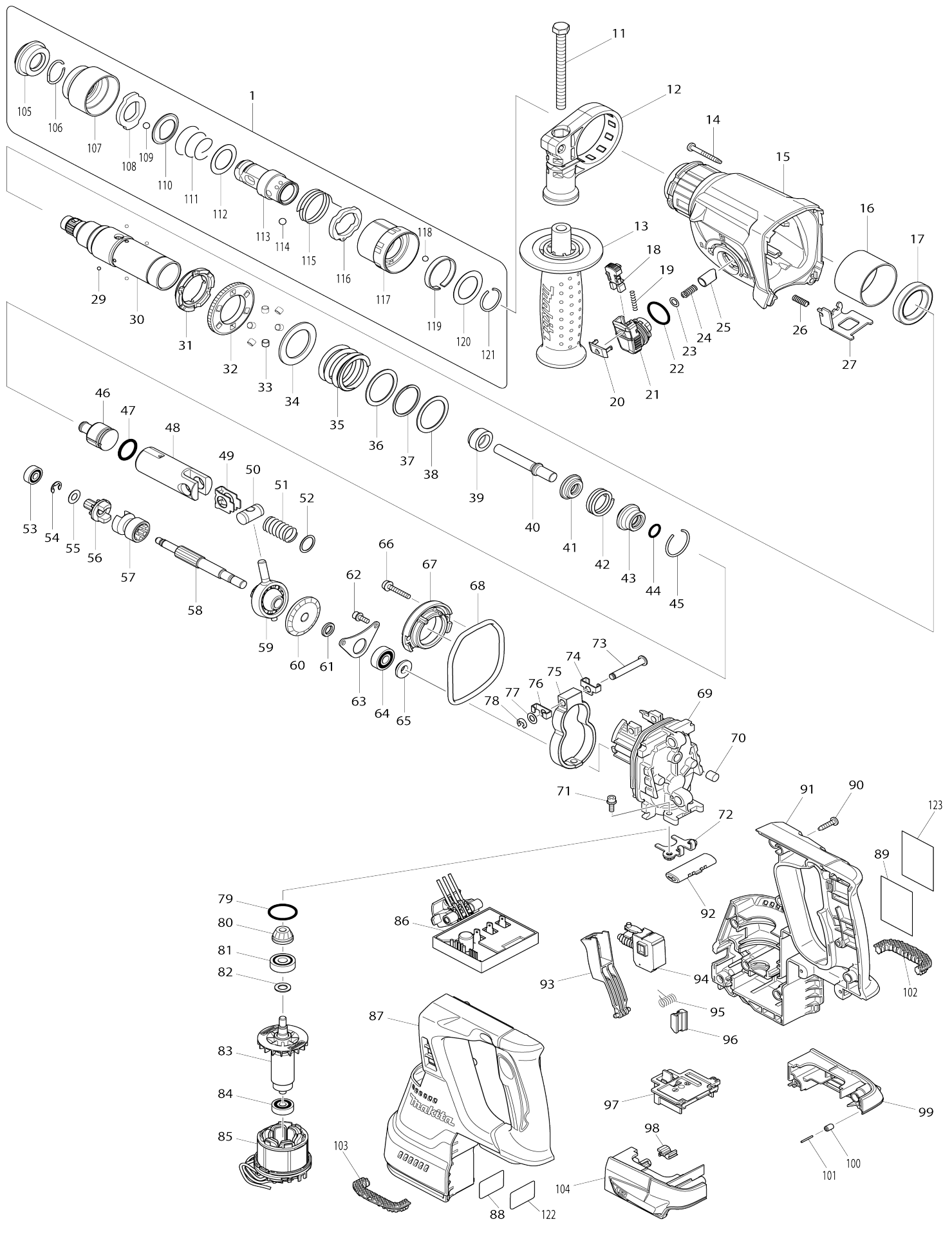


Model No.DHR243 24MM CORDLESS COMBI. HAMMER



Model No.DHR243 24MM CORDLESS COMBI. HAMMER

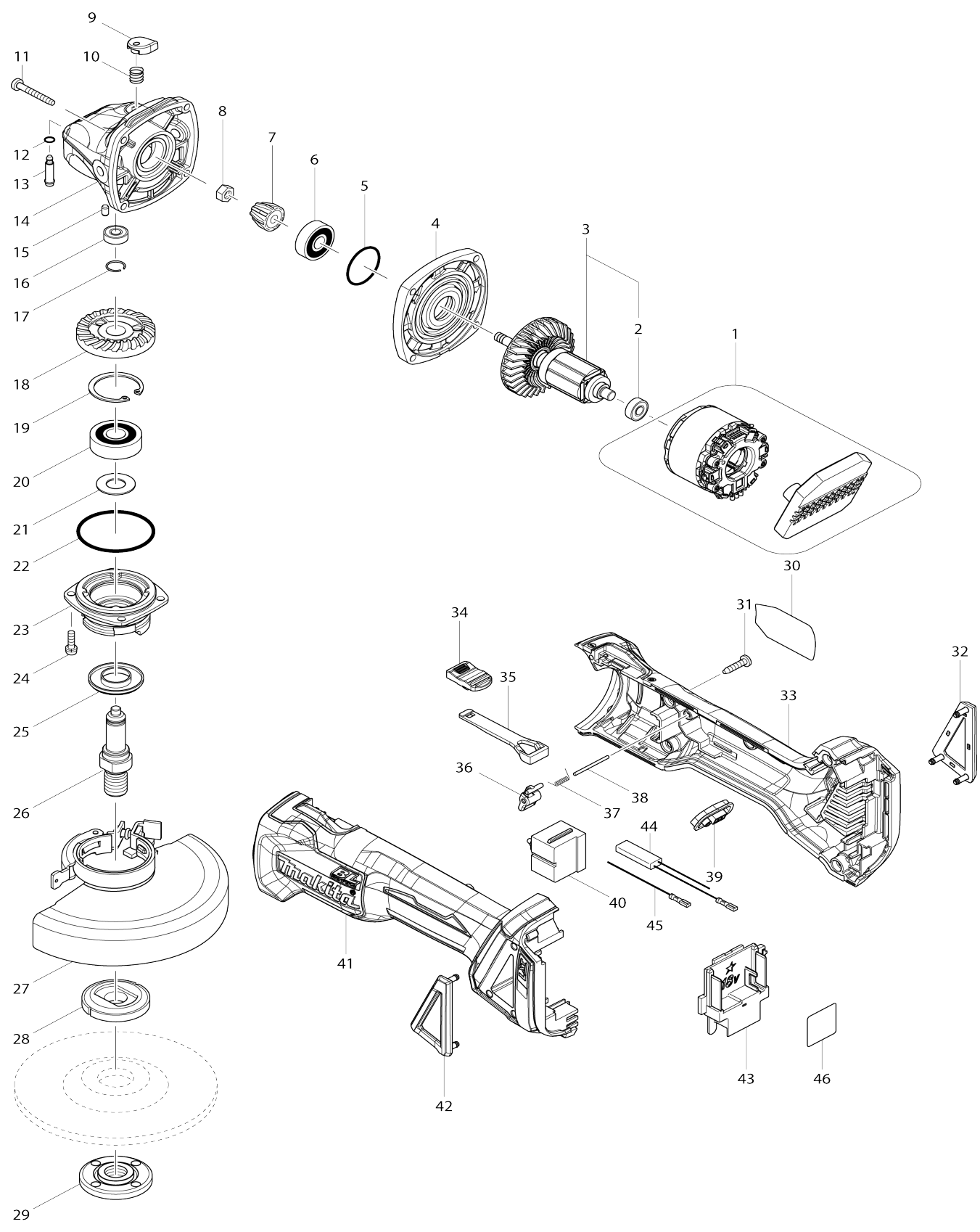
Item No.	Parts No.	Description
001	194080-7	TOOL HOLDER SET
001		INC. 105-121
011	266745-2	HEX.BOLT M8X90
012	453129-5	GRIP BASE
013	158057-6	GRIP 36 COMPLETE
014	266351-3	TAPPING SCREW 4X35
014-1	265B69-5	TAPPING SCREW 4X35
015	141229-0	GEAR HOUSING COMPLETE
C10	213345-9	OIL SEAL 25
C20	890903-4	INDICATION LABEL
015-1	144354-6	GEAR HOUSING COMPLETE
C10	213345-9	OIL SEAL 25
C20	810X86-8	INDICATION LABEL
016	331890-3	CUP SLEEVE
017	211294-4	BALL BEARING 6806LLU
018	454112-5	LOCK BUTTON
019	234264-6	COMPRESSION SPRING 3
020	453131-8	CHANGE LEVER COVER
021	453125-3	CHANGE LEVER
022	213381-5	O RING 21
023	253308-3	THIN WASHER 6
024	234147-0	COMPRESSION SPRING 5
025	325785-0	PUSH CORN
025-1	326850-8	PUSH CORN
026	233360-7	COMPRESSION SPRING 4
027	346537-6	LOCK PLATE
029	216019-1	STEEL BALL 3
029-1	216061-2	STEEL BALL 3
030	140266-1	TOOL HOLDERGUIDE COMPLETE
031	313149-0	DRIVING FLANGE
031-1	332139-4	DRIVING FLANGE
032	227232-6	SPUR GEAR 51
032-1	227360-7	SPUR GEAR 51
033	268226-2	PIN 6
034	267414-8	FLAT WASHER 30
035	234148-8	COMPRESSION SPRING 31
036	267153-0	FLAT WASHER 30
037	257932-4	SPIRO LOCK WASHER 30
038	267153-0	FLAT WASHER 30
039	325783-4	SLEEVE 9B
040	325791-5	IMPACT BOLT B
041	325792-3	WASHER 10
042	234149-6	COMPRESSION SPRING 20
043	325793-1	O-RING CASE B
044	213073-6	O RING 9
045	233979-2	RING SPRING 28
046	326139-4	STRIKER

047	213258-4	O RING 17.5
048	310345-1	PISTON CYLINDER
049	346036-8	GUIDE PLATE
050	324215-8	PISTON JOINT
051	234098-7	COMPRESSION SPRING 14
052	267447-3	FLAT WASHER 14
053	211012-0	BALL BEARING 606ZZ
054	257336-0	STOP RING EXT U-6
055	253186-1	FLAT WASHER 7
056	227231-8	SPUR GEAR 10
057	331814-9	CLUTCH CAM A
057-1	326849-3	CLUTCH CAM A
058	326140-9	CAM SHAFT
059	219020-5	SWASH BEARING 10
060	227588-7	SPIRAL BEVEL GEAR 32
061	257323-9	RING 8
062	922118-6	HEX. SOCKET HEAD BOLT M4X12
063	346038-4	BEARING RETAINER B
064	211032-4	BALL BEARING 608ZZ
065	324212-4	RING 8
066	922147-9	HEX. SOCKET HEAD BOLT M4X25
067	141230-5	INNER SUPPORT COMPLETE
068	213767-3	O-RING 75
069	318810-4	INNER HOUSING
070	443153-6	FELT
071	922118-6	HEX. SOCKET HEAD BOLT M4X12
072	346536-8	BEARING RETAINER A
073	256536-9	FLAT FILLISTER HD PIN 6
074	346538-4	WEIGHT HOLDER GUIDE
075	313224-2	COUNTER WEIGHT
076	346538-4	WEIGHT HOLDER GUIDE
077	253726-5	FLAT WASHER 6
078	961018-5	STOP RING E-5
079	213008-7	O RING 22.4
080	141458-5	SPIRAL BEVEL GEAR 11 COMPLETE
081	210024-0	BALL BEARING 608LLU
082	253835-0	FLAT WASHER 8
083	619293-4	ROTOR
083-1	619737-4	ROTOR
083-1		INC. 80-82,84
084	210022-4	BALL BEARING 626DDW
085	629922-1	STATOR
085-1	529922-0	STATOR ASS'Y
085-2	529187-4	STATOR ASS'Y
086	620241-8	CONTROLLER
086-1	620G68-8	CONTROLLER
087-1	183A34-5	HOUSING SET
087-1		INC. 91
087-2	183C02-0	HOUSING SET
087-2		INC. 91
087-3	183C02-0	HOUSING SET

087-3		INC. 91
088	815B50-2	DHR243 SERIAL NO. LABEL
089	815B44-7	DHR243 NAME PLATE
090	266326-2	TAPPING SCREW 4X18
090-1	266326-2	TAPPING SCREW 4X18
090-2	265B67-9	TAPPING SCREW 4X18
091-1	183A34-5	HOUSING SET
091-1		INC. 87
091-2	183C02-0	HOUSING SET
091-2		INC. 87
091-3	183C02-0	HOUSING SET
091-3		INC. 87
092	453124-5	F/R CHANGE LEVER
093	453123-7	SWITCH LEVER
094	650709-0	SWITCH C3JW-1A-P
095	233598-4	TORSION SPRING 6
096	313226-8	OPENER
097	644808-8	TERMINAL
098	424476-1	CUSHION
099	187377-1	BATTERY HOUSING SET
C10	263005-3	RUBBER PIN 6
099		INC. 104
100	263036-2	RUBBER PIN 5
101	268184-2	PIN 1.5
102	424473-7	CUSHION RUBBER
103	424473-7	CUSHION RUBBER
104	187377-1	BATTERY HOUSING SET
C10	263005-3	RUBBER PIN 6
104		INC. 99
105	286263-4	CAP 35
106	233940-9	RING SPRING 19
107	418217-5	CHUCK COVER
108	345333-9	STOPPER
109	216022-2	STEEL BALL 7.0
110	345187-4	GUIDE WASHER
111	233916-6	CONICAL COMP. SPRING 21-29
112	267279-8	FLAT WASHER 21
113	324355-2	TOOL HOLDER
114	216013-3	STEEL BALL 6
114-1	216062-0	STEEL BALL 6
115	231669-1	TORSION SPRING 31
116	345334-7	CHANGE RING
117	418218-3	CHANGE COVER
118	216018-3	STEEL BALL 5.0
119	345335-5	LEAF SPRING
120	267270-6	FLAT WASHER 24
121	233924-7	RING SPRING 21
122	893072-0	CLEAR LABEL
123	890994-5	CLEAR LABEL
124	424734-5	SPONGE
A01	324219-0	DEPTH GAUGE
A02	194079-2	DRILL CHUCK SET

C10	251425-3	- FLAT HEAD SCREW M6X22
C20	324353-6	CHUCK HOLDER
C30	418216-7	SPACER
A02-1	194079-2	DRILL CHUCK SET
C20	324353-6	CHUCK HOLDER
C30	418216-7	SPACER
A02-2	194079-2	DRILL CHUCK SET
C20	324353-6	CHUCK HOLDER
C30	418216-7	SPACER
A03	***DC18RC	DC18RC FAST CHARGER
A04-1	194204-5	BATTERY BL1830 SET
A04-1	197280-8	BATTERY BL1850B SET
A04-1	197422-4	BATTERY BL1860B SET
A04-2	197600-6	BATTERY BL1830B SET
A04-2	197280-8	BATTERY BL1850B SET
A04-2	197422-4	BATTERY BL1860B SET
A04-3	197600-6	BATTERY BL1830B SET
A04-3	197280-8	BATTERY BL1850B SET
A05	450128-8	BATTERY COVER
A05-1	450128-8	BATTERY COVER
A06	821552-6	CONNECTOR PLASTIC CASE (TYPE4)
C10	453974-8	LATCH
A06	141401-4	PLASTIC CASE COMPLETE
C10	162271-8	LATCH
C20	890904-2	INDICATION LABEL
A06-1	144708-7	CONNECTOR P.CASE TYPE4 COMPLETE
C10	453974-8	LATCH
A07	837649-1	INNER TRAY
A07	802M41-8	DHR243RFE PLASTIC CASE LABEL
A07	837677-6	INNER TRAY
A07	810W70-7	DHR243RGE PLASTIC CASE LABEL
A07	839230-4	INNER TRAY
A07	835A31-4	INNER TRAY
A07-1	835A31-4	INNER TRAY
A08	802M29-8	DHR243RFJ INDICATION LABEL
A08	802M31-1	DHR243RFJV INDICATION LABEL
A08	805R30-2	DHR243RTJ INDICATION LABEL
A08	812U28-0	DHR243RTJ1 INDICATION LABEL
A08	818X86-2	DHR243RFJW INDICATION LABEL
A08	8033W3-0	DHR243T3JW INDICATION LABEL
A09	802M32-9	DHR243RFJ PLASTIC CASE LABEL
A09	807G91-2	DHR243RFJV PLASTIC CASE LABEL
A09	809N51-2	DHR243RTJ PLASTIC CASE LABEL
A09	812U29-8	DHR243RTJ1 PLASTIC CASE LABEL
A09	818X87-0	DHR243RFJW PLASTIC CASE LABEL
A09	8067E6-1	DHR243T3JW PLASTIC CASE LABEL

Model No.DGA504 125MM CORDLESS ANGLE GRINDER



Model No.DGA504 125MM CORDLESS ANGLE GRINDER

Item No.	Parts No.	Description
001	629140-1	STATOR COMPLETE
C10	688131-1	LINE FILTER
001-1	629173-6	STATOR COMPLETE
C10	688131-1	LINE FILTER
001-1	629176-0	STATOR COMPLETE
001-2	629176-0	STATOR COMPLETE
001-2	629173-6	STATOR COMPLETE
001-3	629173-6	STATOR COMPLETE
001-3	629B61-9	STATOR
001-4	629B61-9	STATOR
002	210034-7	BALL BEARING 607LLB
002-1	210169-4	BALL BEARING 607LLB
003	519354-9	ROTOR ASS'Y
003		INC. 2
003-1	519378-5	ROTOR ASS'Y
003-1		INC. 2
003-2	510329-1	ROTOR ASS'Y
003-2		INC. 2
003-3	510329-1	ROTOR ASS'Y
003-3		INC. 2
003-4	510329-1	ROTOR ASS'Y
003-4		INC. 2
004	319214-3	GEAR HOUSING COVER
005	213445-5	O-RING 26
005-1	213407-3	O RING 26
006	210042-8	BALL BEARING 629LLB
007	227541-3	SPIRAL BEVEL GEAR 10
007-1	226861-2	SPIRAL BEVEL GEAR 10
008	252186-8	HEX. NUT M6
009	417771-6	PIN CAP
010	233072-2	COMPRESSION SPRING 8
010-1	233376-2	COMPRESSION SPRING 8
011	266361-0	TAPPING SCREW 4X30
011-1	265B70-0	TAPPING SCREW 4X30
012	213960-9	O RING 5
013	256546-6	SHOULDER PIN 4
014	319213-5	GEAR HOUSING
015	263002-9	RUBBER PIN 4
016	210033-9	BALL BEARING 696ZZ
017	233950-6	RING SPRING 11
018	227641-9	SPIRAL BEVEL GEAR 37
018-1	226862-0	SPIRAL BEVEL GEAR 37
019	962151-6	RETAINING RING R-32
020	211129-9	BALL BEARING 6201DDW
021	267113-2	FLAT WASHER 12
021-1	267238-2	FLAT WASHER 12
022	213622-9	O RING 45

023	318331-6	BEARING BOX
024	911121-2	PAN HEAD SCREW M4X14
025	345464-4	LABYRINTH RING
026	324954-0	SPINDLE
027	123145-8	TOOLLESS WHEELCOVER 125AK ASSY
C10	213009-5	O RING 4
C20	265180-1	PAN HEAD SCREW M5X16
027-1	141P36-7	TOOLLESS WHEEL COVER 125AK CMP
C10	213009-5	O RING 4
C20	265180-1	PAN HEAD SCREW M5X16
C30	8050A1-8	CAUTION LABEL
028	224415-9	INNER FLANGE 42
028-1	224490-5	INNER FLANGE 14-45
028-2	224415-9	INNER FLANGE 42
029	224554-5	LOCK NUT 14-45
030	850J42-2	DGA504 NAME PLATE
031	266326-2	TAPPING SCREW 4X18
031-1	265B67-9	TAPPING SCREW 4X18
032	455450-8	DUST COVER R
033	187998-9	MOTOR HOUSING SET
C10	263005-3	RUBBER PIN 6
033		INC. 41
034	455447-7	SWITCH KNOB
035	455446-9	SWITCH LEVER
036	455448-5	LEVER
037	231679-8	TORSION SPRING 2
038	268330-7	PIN 2
039	142901-7	INDICATOR PANEL COMPLETE
040	650579-7	SWITCH 1246.3223
040-1	650579-7	SWITCH 1246.3223
041	187998-9	MOTOR HOUSING SET
C10	263005-3	RUBBER PIN 6
041		INC. 33
042	455449-3	DUST COVER L
043	643899-6	TERMINAL
044	632E34-1	RESISTOR UNIT
045	632E33-3	LEAD UNIT
046	850J49-8	DGA504 SERIAL NO. LABEL
047	620K10-3	CONTROLLER
048	652119-7	PAN HEAD SCREW M2X6
A01	A-80656	GRINDING WHEEL 125 WA36N
A02	158237-4	GRIP 36 COMPLETE
A03	782423-1	LOCK NUT WRENCH 35
A04	***DC18RC	DC18RC FAST CHARGER
A05	194204-5	BATTERY BL1830 SET
A05-1	194204-5	BATTERY BL1830 SET
A05-1	196399-0	BATTERY BL1840 SET
A05-2	197600-6	BATTERY BL1830B SET
A05-2	197265-4	BATTERY BL1840B SET
A05-2	197280-8	BATTERY BL1850B SET

A05-3	197600-6	BATTERY BL1830B SET
A05-3	197265-4	BATTERY BL1840B SET
A05-3	197280-8	BATTERY BL1850B SET
A06	450128-8	BATTERY COVER
A07	821636-0	PLASTIC CASE
C10	162315-4	LATCH
A07	821551-8	CONNECTOR PLASTIC CASE (TYPE3)
C10	453974-8	LATCH
A07-1	821734-0	PLASTIC CASE
C10	162315-4	LATCH
A07-2	821817-6	PLASTIC CASE
C10	162315-4	LATCH
A08	838175-3	INNER TRAY
A08	839252-4	INNER TRAY
A09	810M43-0	DGA504RTJ INDICATION LABEL
A09	812T94-1	DGA504RT3J INDICATION LABEL
A10	810M44-8	DGA504RTJ PLASTIC CASE LABEL
A10	812T95-9	DGA504RT3J PLASTIC CASE LABEL
A13	199710-5	CUTTING W.C.A. 125 SET
F01-1	194514-0	VIBRATION PROOF GRIP SET
F03	192227-7	SUPER FLANGE
F07-3	197600-6	BATTERY BL1830B SET
F08-4	197599-5	BATTERY BL1830B SET
F09-3	197267-0	BATTERY BL1840B SET
F10-3	197267-0	BATTERY BL1840B SET
F11-3	197265-4	BATTERY BL1840B SET
F12-3	197265-4	BATTERY BL1840B SET
F13-3	197273-5	BATTERY BL1840B SET(2PIECES)
F26	191W06-8	115/125MM DUST COVER K SET
C10	743129-6	BRUSH A
C20	743130-1	BRUSH B

A09-1	802M34-5	DHR243RFJV PLASTIC CASE LABEL
A09-1	805R31-0	DHR243RTJ PLASTIC CASE LABEL
A10	***DX02	DUST EXTRACTION SYSTEM
A10		COMPO-PARTS
A10		INC. A11
A10	***DX07	DUST EXTRACTION SYSTEM
A11	424474-5	SEALING CAP
A11-1	422784-4	SEALING CAP
A13	837349-3	SPONGE 50-50
B01	195834-5	HAMMER SERVICE KIT
C10	195127-0	OIL VESSEL SET
B01		INC. 44,45,47,105,109
F37-3	197606-4	BATTERY BL1830B SET (2PIECES)
F48-1	199977-5	DUST CASE SET
F50-1	199557-7	FILTER SET
F52-3	197267-0	BATTERY BL1840B SET
F53-3	197265-4	BATTERY BL1840B SET
F54-3	197273-5	BATTERY BL1840B SET(2PIECES)
F56-2	196235-0	BATTERY BL1815N SET
F57-1	196449-1	BATTERY BL1815N SET
F58-2	196449-1	BATTERY BL1815N SET
F66	199573-9	DX07DUST EXTRACTION SYSTEM SET
G12	1914X3-8	DUST EXTRACTION PAD SET